

ControlNet Router A-CNR

The ControlNet Router provides an efficient method of bridging between ControlNet and Ethernet networks. The module exchanges data with a Logix controller via a ControlNet bridge (eg. 1756-CNB) using Scheduled Class 1 communication or Unscheduled Class 3 / UCMM messaging. The size of the produced and consumed data is user-configurable up to 400 bytes.

The IO data can be accessed via Ethernet using either the PCCC or EtherNet/IP™ protocols. The former allows the module to emulate user-defined PLC5-type data files simplifying the data exchange with PanelViews. The module also provides a range of statistics on Ethernet and ControlNet to assist with fault finding.

A built-in webserver provides detailed diagnostics of system configuration and operation, including the display of ControlNet operation and communication statistics, without the need for any additional software.



Features

- ❖ ControlNet to Ethernet Interface
- ❖ Connect Ethernet-only PanelViews to Logix via ControlNet
- ❖ Supports Scheduled & Unscheduled ControlNet for PanelViews
- ❖ Program Logix controllers via ControlNet
- ❖ Advanced Diagnostics

Configuration

- ❖ The Slate Configuration Utility software is used for configuration and troubleshooting of the module. The stand-alone configuration utility allows users to define the setup and configuration of the ControlNet Router module, connections with controllers and devices.
- ❖ RSNetwork for ControlNet is used to schedule the ControlNet Router over the ControlNet network.
- ❖ The configuration utility can be downloaded from www.prosoft-technology.com

The figure below provides an example of the typical network setup when using unscheduled ControlNet, where the ControlNet Router acts as a target device on the ControlNet network.

The ControlNet Router will relay requests from the PanelView HMI to the Logix Controller allowing the newer PanelView Plus (with Ethernet only) to access the Logix Controller tags over an existing ControlNet network

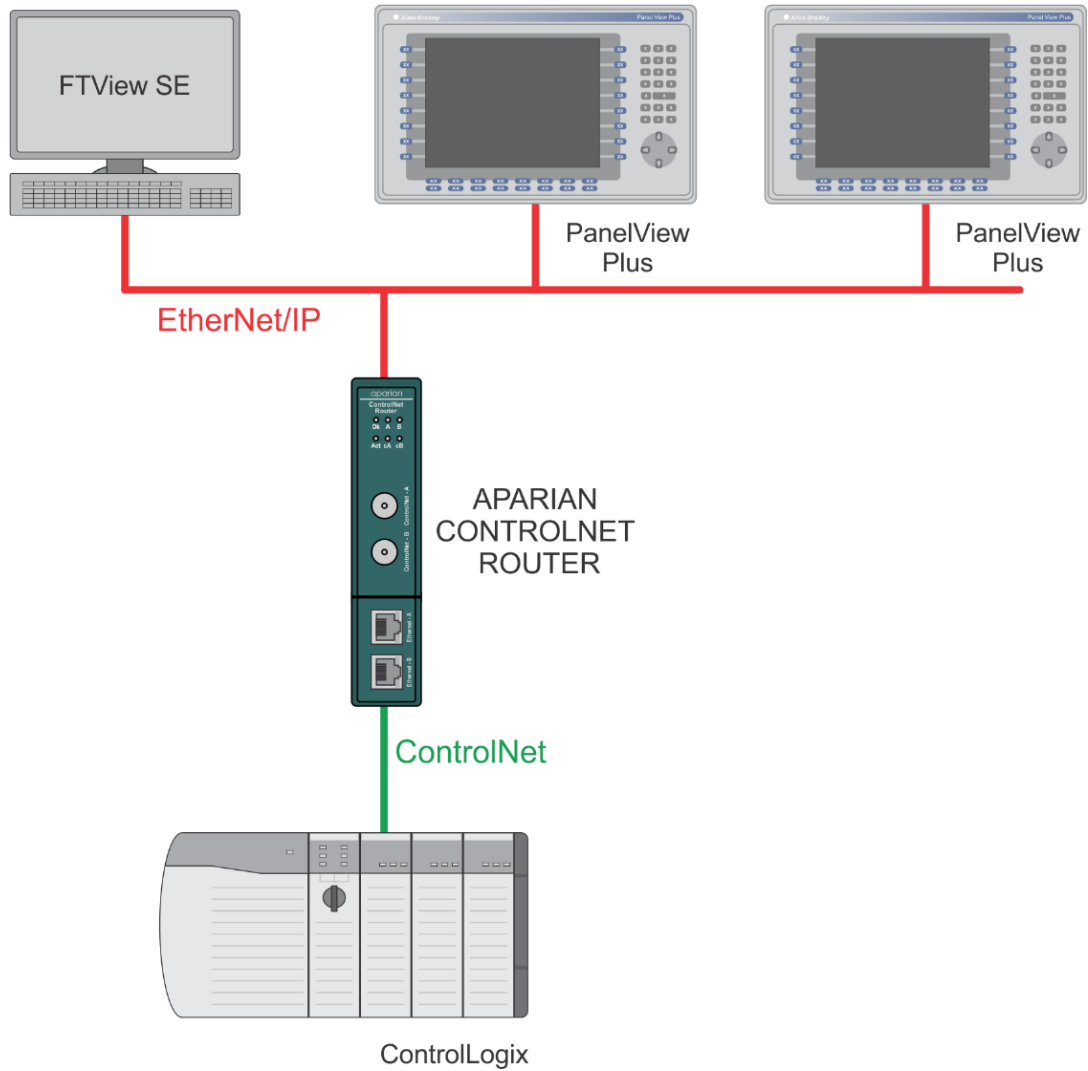


Figure 1 - Example of a typical network setup in PLC Emulation mode

Specifications

EtherNet/IP Network

Specification	Description
Connector	RJ45
Conductors	CAT5 STP/UTP
ARP Connections	Max 40
TCP Connections	Max 40
CIP Connections	Max 10
Communication Rate	10/100 Mbps
Duplex Mode	Full / Half
Auto-MDIX Support	Yes
Embedded Switch	(2) Ethernet ports

ControlNet

Specification	Description
Connectors	(2) BNC connectors (ControlNet A and B).
Conductors	Quad shield RG-6 coaxial cable
Unscheduled Routed Client Max	40
Scheduled Connection	Max Input Size: 408 bytes (400 bytes mapped data) Max Output Size: 404 bytes (400 bytes mapped data)

PCCC

Specification	Description
Max PCCC Connections	10
Max PCCC Payload	1000 bytes

Hardware

Specification	Rating
Power Supply	Input: 10 to 36 VDC, (85 mA @ 24 VDC)
Power Consumption	2 W
Dimensions (H x W x D)	149.0 x 34.0 x 116.0 mm
Connector	3-way terminal
Conductors	24 to 18 AWG
Enclosure Rating	IP20, NEMA/UL Open Type
Temperature	-20 to 70 °C
Humidity	0 to 95% RH, non-condensing
Earth Connection	Yes, terminal based
Emissions	IEC 61000-6-4
ESD Immunity	EN 61000-4-2
Radiated RF Immunity	IEC 61000-4-3
EFT/B Immunity	IEC 61000-4-4
Surge Immunity	IEC 61000-4-5
Conducted RF Immunity	IEC 61000-4-6

Agency Approvals & Certifications

Please visit our website: www.prosoft-technology.com



Where Automation
Connects™

Ordering Information

To order this product, please use the following:

ControlNet Router

A-CNR

To place an order, please contact your local ProSoft Technology distributor. For a list of ProSoft Technology distributors near you, go to: www.prosoft-technology.com and select *Where to Buy* from the menu.

Copyright © 2020 ProSoft Technology, Inc.
All Rights Reserved. 6/25/2020

Specifications subject to change without notice.